

Masport®

DOMESTIC ROTARY MOWERS

PRESIDENT SERIES 18

Part Number
578729

Model
1000ST CO

Motor
0.75kW 58v

Month and Year of First Manufacture - December 2017

Starting Serial Number - 8241258



Issue B.1
Jun 2019 PB
REF # 778729S
MTR ECN 04013
MWR ECN 04060

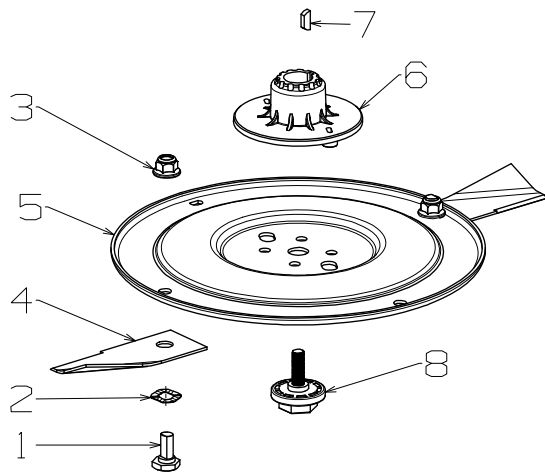


Pres S18 1000ST CO
0.75kW 58v

Masport

Issue B.1
Jun 2019 PB
REF # 778729S
MTR ECN 04013
MWR ECN 04060

460mm Disc Blade- Flat, Assembly



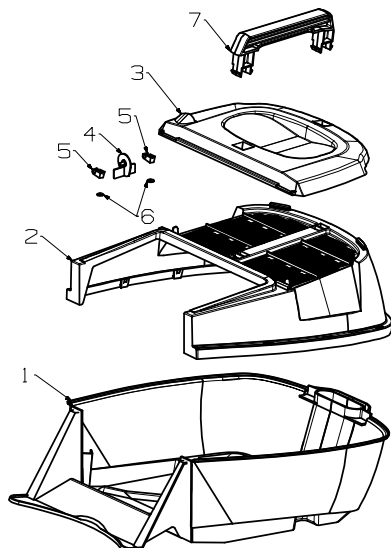
Item No	Part No	Description	Qty Req'd
1	581707	Bolt- Pivot M10 x 22	2
2	580693	Washer, Wavy 13.4 x 24.2	2
3	503672	Nut, M10 Hex Nyloc Flange	2
4	574699	Blade-Swing Back,420/460mm Eli	2
5	980082	Disc Blade- Flat	1
6	565437	Driver Assy- Blade, 22mm dia Nylon	1
7	500636	Key-W/Ruff 5/8" x 5/32" x 1/4"	1
8	565438	Bolt; Hex NF 3/8" x 1.5 Insulate	1

Blade & Bolt Sets (2 per) 18"

783690 Bolt Set,
Inc Items 2 x 1, 2 & 3

774699 Blade-Swing Back, ELI(2 per) MAS
Includes Items: 2 x 1,2,3,4

18" Catcher Assembly Plastic



Item	Part No	Description	Qty
1	583295	Catcher- Bottom, 18" Branded, Black	1
2	579117	Catcher- Top, 18" Black	1
3	582567	Catcher- Lid, 18" Indicator Black	1
4	582548	Indicator- Catcher	1
5	582550	Clamp- Indicator Retainer	2
6	503381	Clip- Starlock, 4 dia	2
7	580673	Handle-Catcher	1
Not Illustrated			
	582568	Decal, Catcher Indicator	1

Replacement Catcher Assembly

783006 Catcher Assy (Branded) 18" with "Grass Full Indicator" & Black Base

When ordering PLEASE QUOTE PART NUMBER & Description, NOT Illustration No.

Determine right or left hand side from standing in operating position (standing at handle).

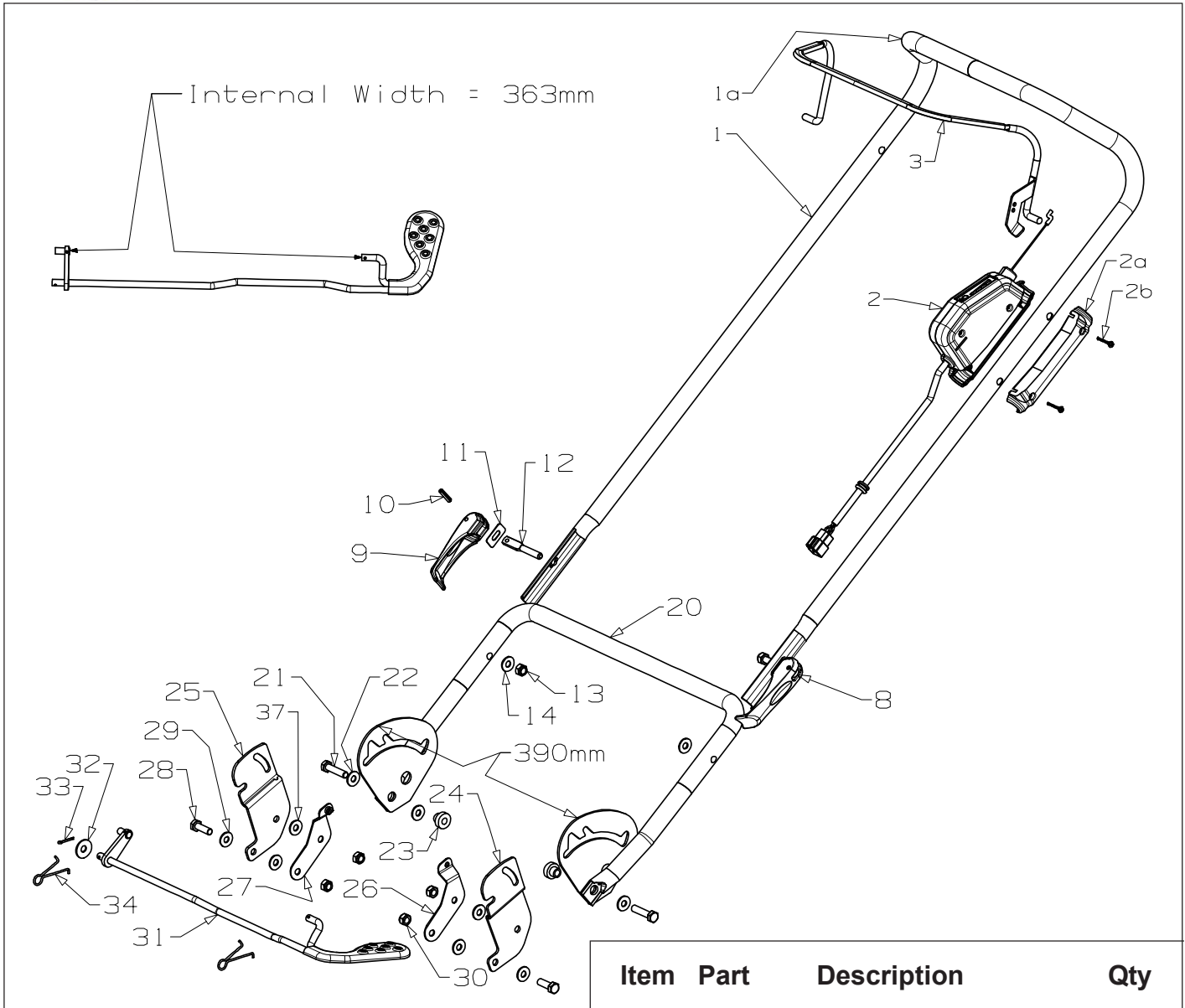
Bold Text = Assemblies, Bulleted Text * = Items included in the Assemblies & may not be available as a spares item.



Pres S18 1000ST CO
0.75kW 58v

Masport

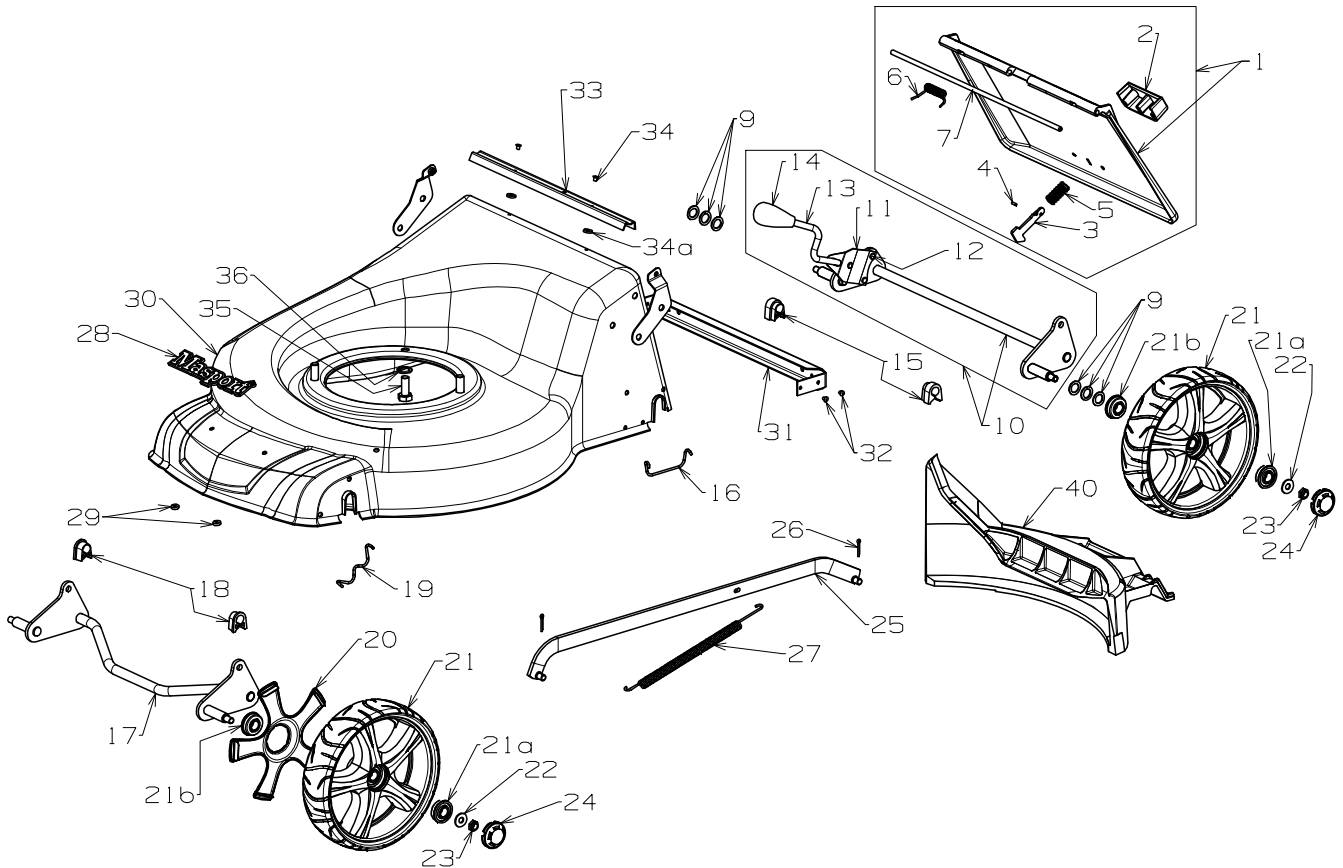
Issue B.1
Jun 2019 PB
REF # 778729S
MTR ECN 04013
MWR ECN 04060



Item	Part	Description	Qty
20	967594	Handle Assy- Lower, ULFT18"ST	1
21	501716	Screw, Set M8 x 35 Hex	2
22	501606	Washer, Flat 8 x 19 x 1.6	3
23	567382	Spacer- Handle, Lower Lift	2
24	567369	Plate- Mount, Handle LH	1
25	567368	Plate- Mount, Handle RH	1
26	579297	Bracket- Flap, LH	1
27	579298	Bracket- Flap, RH	1
28	501597	Screw, Set M8 x 20 Hex	2
29	501606	Washer, Flat 8 x 19 x 1.6	2
30	501793	Nut, M8 Hex Nyloc x 8mm thick	4
31	967542	Rod Assy Adj- Lower Lift 18" STL	1
32	502149	Washer- Dished	1
33	501056	Pin, Cotter 2.3dia x 16	1
34	567381	Spring- Ergo Lift	2
37	501606	Washer, Flat 8 x 19 x 1.6	4

When ordering PLEASE QUOTE PART NUMBER & Description, NOT Illustration No.
Determine right or left hand side from standing in operating position (standing at handle).

Bold Text = Assemblies, Bulleted Text * = Items included in the Assemblies & may not be available as a spares item.



Item No	Part No	Description	Qty Req'd	Item No	Part No	Description	Qty Req'd
1	782200	Flap Assembly- Plastic, Masport	1	21b	579694	Bearing- Wheel,Plastic	4
2	580602	*Handle- Flap	1	22	501606	Washer, Flat 8 x 19 x 1.6	4
3	981650	*Latch- Flap, Barbed	1	23	503831	Nut, M8 Hex Nyloc x 6mm thick	4
4	502019	*Pin, Tension 3.0 x 8	1	24	583397	Hub Cap, Button Mag Black	4
5	581106	*Spring- Latch, Flap	1	25	571030	Rod Assy- Connecting, 175mm	1
6	581349	*Spring- Flap	1	26	501056	Pin- Cotter, 2.3dia x 16	2
7	764363	*Wire- Flap Pivot 6mm x 360mm	1	27	581463	Spring- Counter Balance	1
9	503301	Washer, Flat 1/2 x 3/4 x 18g	6	28	581240	Nameplate- MASPORT	1
10	764028	Axle Assy Rear- Complete	1	29	503150	Clip- Starlock, 5 dia	2
11	580649	*Spring- Leaf	1	30	779339	Hsg- Stl 18" XFQ CO HGRN	1
12	503373	*Rivet- F/HD 3/16 x 27/64"	3	31	980608	*Brace- Rear, 3/4/600	1
13	983329	*Rod- Height Selector 19"	1	32	581369	*Rivet- Pop 4 dia x 3.2 73SS5-2	4
14	581729	*Knob- Height, Lever MSV	1	33	583151	Dust Seal- Flap	1
15	580668	Bush- Pivot, Rear Axle	2	34	581369	Rivet- Pop 4 dia x 3.2 73SS5-2	2
16	579292	Retainer- Axle, Rear, Steel Deck	2	34a	502170	Washer, Nylon 5 x 12 x 2.0	2
17	983281	Axle Assy- Front, 200mm	1	35	501846	Screw, Set M10 x 25HT Hex	3
18	580030	Bush- Pivot, Front Axle	2	36	503897	Washer, Spring 10	3
19	529674	Retainer- Axle W, Front	2	40	583173	Insert- Mulching, 18" STL	1
20	583398	Cover- Inner, Wheel Black	2				
21	573703	Wheel Assy 200mm Mag Black (Includes 2 x 551212 per wheel)	4				
21a	551212	Bearing- Wheel,Ball	4				

When ordering PLEASE QUOTE PART NUMBER & Description, NOT Illustration No.
Determine right or left hand side from standing in operating position (standing at handle).

Bold Text = Assemblies, Bulleted Text * = Items included in the Assemblies & may not be available as a spares item.

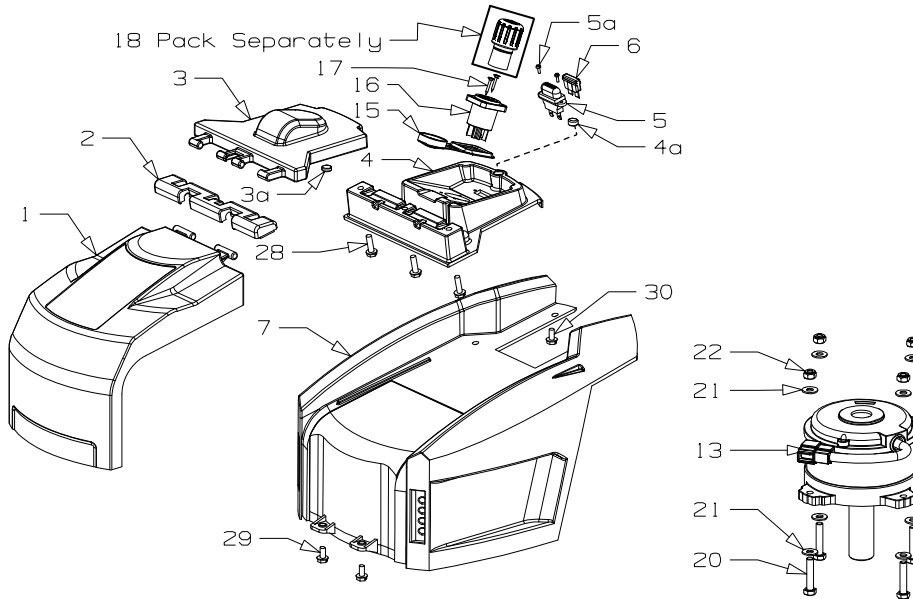


Pres S18 1000ST CO
0.75kW 58v

Masport

Issue B.1
Jun 2019 PB
REF # 778729S
MTR ECN 04013
MWR ECN 04060

774824 Motor Assy- Battery 0.75kW 58v Green (Includes items on page 6 & items 1 ~ 30)



Item	Part	Description	Qty Req'd
1	574571	Cover- Top, Plastic B/Eng Grn	1
2	574573	Cover- Hinge, Plastic B/Eng Blk	1
3	574569	Cover- Lid B/Eng Blk	1
3a	574551	Magnet- Cover,Lid o/d 8.9 x 3	1
4	574572	Panel- Control, Plastic B/Eng BK	1
4a	574826	Cylinder- Iron Battery Eng	1
5	502285	Holder- Fuse, Battery Engine 58v	1
5a	502289	Screw, S/Tapping 3 x 6 S/Head	2
6	502286	Fuse- Blade 20A Batt Engine 58v	1
7	574550	Cover- Middle Plastic B/Eng Blk	1
13	774560	Motor Brushless-Batt 0.75kW 58v	1
15	574697	Cover- Sealing	1
16	574891	Connector- Chassis	1
17	502288	Screw, C/Sink 3 x 16 Philips	2
18	974554	Key- Safety, Battery Engine	1
20	501962	Screw, Set M6 x 30	4
21	501703	Washer, Flat 6 x 14 x 1.2	8
22	501764	Nut, M6 Hex Nyloc x 6mm thick	4
28	502298	Screw, Set 4.8 x 16 Hex Blk	3
29	503630	Screw; S/Tapping 10 x .4 Typ B	2
30	503630	Screw; S/Tapping 10 x .4 Typ B	4

Not Illustrated Packed with the Mower

774775	Charger- Battery, 56v/60v NZ/Aus	1
574775	*Lead- Charger, 58/84v NZ/AU	1
503054	Tie- Nylon, Cable	2
564248	Hook- Lift Handle PL Catcher	1
565012	Decal, Noise- Mas 58v 18"	1
565113	Label, LI-ION Warning 58v	1
565114	Label, LI-ION MSDS 58v	1
574656	Instructions, Batt Power 58v	1
574696	Decal, Hsg "Battery Powered"	1
579228	Decal, HSG Pres 1000 S18	1
581180	Instructions, Catcher Assy	1
582049	Decal, Flap Caution	1
582062	Decal, Height Combo	1
583152	Owners Manual- Masport	1

Not Illustrated Packed with the Motor

502251	Decal, Eng 58v L/Side	1
502252	Decal, Eng 58v R/Side	1
502253	Decal, Eng M-Tech Top	1
502254	Decal, Eng M-Tech Masp Top	1
502294	Strap- Battery	3
565102	Clip- Battery Clamp	6
565113	Label, LI-ION Warning 58v	1
565114	Label, LI-ION MSDS 58v	1

When ordering PLEASE QUOTE PART NUMBER & Description, NOT Illustration No.

Determine right or left hand side from standing in operating position (standing at handle).

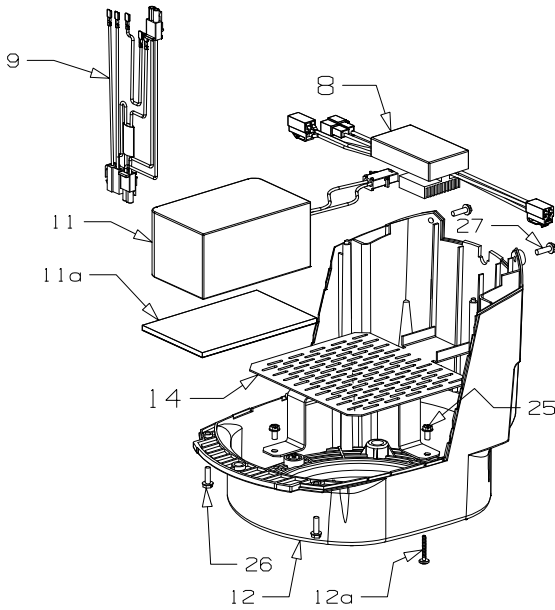
Bold Text = Assemblies, Bulleted Text * = Items included in the Assemblies & may not be available as a spares item.



Pres S18 1000ST CO
0.75kW 58v

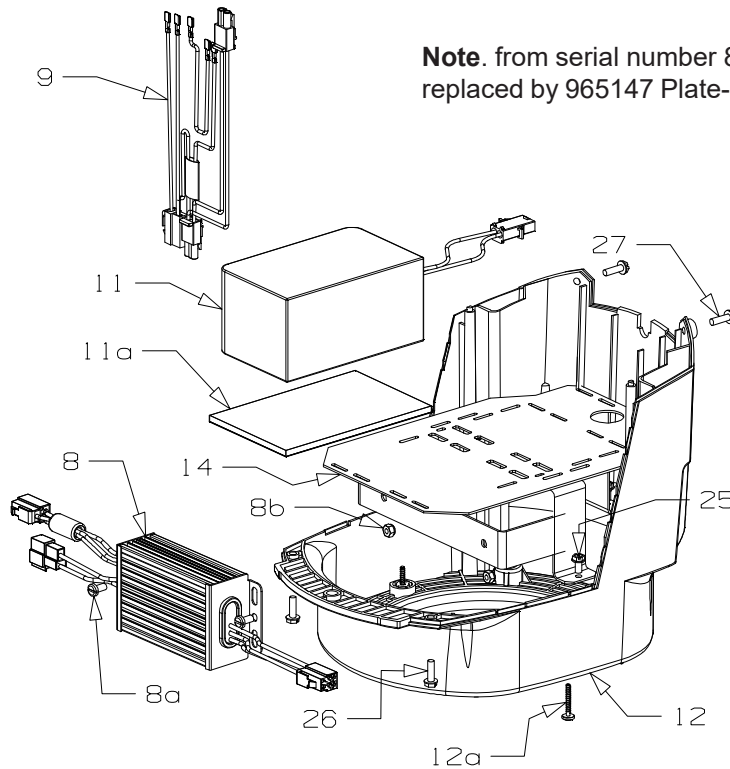
Masport

Issue B.1
Jun 2019 PB
REF # 778729S
MTR ECN 04013
MWR ECN 04060



Note, this mower from serial number 8241258 ~ 8308487 Item 8, 774559 Controller-Battery Motor 58v has been replaced by item 8, 765321. Order Kit 765324 which will include 765321 and other parts required for the conversion.

Note. For this mower, serial numbers 8241258 ~ 8308487 item 14 used 965323 Plate- Mount Assy, B/Eng 58v Blk



Note. from serial number 8340000 Item 14 has been replaced by 965147 Plate- Mount Assy, B/Eng 84v

Item Part	Description	Qty Req'd	Item Part	Description	Qty Req'd
8	765321 Controller- Battery Motor Ali 58v	1	25	503630 Screw; S/Tapping 10 x .4 Typ B	3
8a	501857 Screw, Pan M5 x 10	2	26	502298 Screw, Set 4.8 x 16 Hex Blk	2
8b	503511 Nut, M5 Hex Nyloc	2	27	502298 Screw, Set 4.8 x 16 Hex Blk	2
9	574565 Loom- Wiring, Battery Motor	1			
11	774558 Battery- 58v 4AH	1			
11a	502277 Foam- Adhesive 140 x 90 x 5 (Includes 3 x 502294 Strap)	1			
12	574552 Cover- Bottom, Plastic, B/Eng Blk	1			
12a	502273 Screw; S/Tapping 4.8 x 25 Poz	2			
14	965147 Plate- Mount Assy B/Eng 84v Blk	1			

When ordering PLEASE QUOTE PART NUMBER & Description, NOT Illustration No.

Determine right or left hand side from standing in operating position (standing at handle).

Bold Text = Assemblies, Bulleted Text * = Items included in the Assemblies & may not be available as a spares item.